

Mitutoyo

PRECISION TOOL SALE

SPRING 2018



Effective April 2nd - June 29th 2018 While quantities last.
Some items may not be exactly as shown.

FOLLOW US • LIKE US

Distributed By:

A.C.T. EQUIPMENT SALES LTD.

www.actequipment.com

Burnaby Branch

4455 Alaska Street
Burnaby, BC V5C 5T3
Tel: (604) 294-6271
Fax: (604) 294-8131
1(800) 667-1504
burnaby@actequipment.com

Edmonton Branch

6786-75th St. N.W.
Edmonton, AB T6E 6T9
Tel: (780) 462-1777
Fax: (780) 461-5605
1(800) 661-5979
edmonton@actequipment.com

Calgary Branch

Bay 10, 7003-30th St. S.E.
Calgary, AB T2C 1N6
Tel: (403) 279-6016
Fax: (403) 279-5390
1(800) 685-8155
calgary@actequipment.com

Saskatoon Branch

Unit 112 - 4002 Arthur Rose Ave.
Saskatoon, SK S7P 0C9
Tel: (306) 244-4810
Fax: (306) 244-4811
1(866) 234-0120
saskatoon@actequipment.com

Winnipeg Branch

Unit 4 - 2065 Logan Ave.
Winnipeg, MB R2R 0J1
Tel: (204) 783-3210
Fax: (204) 783-3224
1(877) 783-3201
winnipeg@actequipment.com

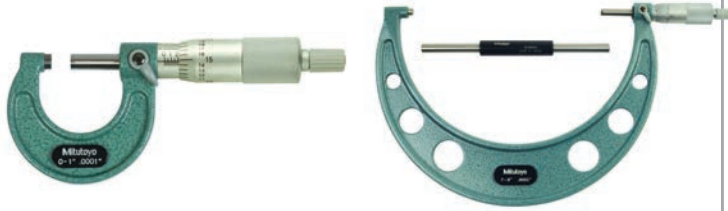


2 Outside Micrometers

Outside Micrometers Series 103

Features include:

- > Hammerstone, baked-enamel-finished frame
- > Ratchet stop for exact repetitive readings
- > With a standard bar except for 0-25mm model



Range	Order No.	Graduation	Promo	Calibration
0-25mm	103-129	0.001mm	\$ 130.64	\$ 39.00
0-1 "	103-131	.0001 "	\$ 130.64	
2-3 "	103-217		\$ 155.48	
3-4 "	103-218		\$ 174.80	
4-5 "	103-219		\$ 184.92	
5-6 "	103-220		\$ 199.64	
6-7 "	103-221		\$ 222.64	
7-8 "	103-222	\$ 51.00	\$ 272.32	
8-9 "	103-223		\$ 294.40	

Inch Model Sets - Series 103

Features include:

- > Hammerstone, baked-enamel-finished frame
- > With a standard bar except for 0-1" model



Range	Order No.	No. of Standard	Graduation	Promo	Calibration
0-6 "	103-907-40	5	.0001 "	\$ 858.80	\$ 358.00
0-12 "	103-908-40	11		\$ 2100.36	\$ 339.00

Inch Model - Series 104

Features include:

- > Wide measuring range with interchangeable anvils
- > Ratchet stop for constant force
- > Supplied with zero-setting standards bar for each range
- > Supplied in fitted wooden case



Range	Order No.	Graduation	Promo	Calibration
18-24 "	104-202	.001 "	\$ 1236.48	\$ 315.00

Remarks: With 6 anvils and 6 standards.

Inch Model - Series 103

Features include:

- > Hammerstone, baked-enamel-finished frame
- > Ratchet stop or friction thimble for exact repetitive readings
- > With a standard bar except for 0-1"



Range	Order No.	Graduation	Promo	Calibration
0-1 "	103-260	.0001 "	\$ 120.65	\$ 39.00
1-2 "	103-262		\$ 139.65	

Inch Model - Series 103

Features include:

- > Hammerstone, baked-enamel-finished frame
- > Ratchet stop for exact repetitive readings
- > With a standard bar except for 0-25mm model



Range	Order No.	Graduation	Promo	Calibration
25-50 mm	103-138	.01mm	\$ 128.80	\$ 39.00
50-75 mm	103-139-10		\$ 151.80	
25-50 mm	103-140-10		\$ 170.20	



MICHAELS'S 5 STAR'S FOR 103-260

" Handy little micrometer made in Japan by Mitutoyo.

Easy to read 1" outside vernier micrometer. Comes in a handy case with adjustment wrench and papers. Small and compact, I use it to measure punches, shims, crush block thickness and other "die" related material at work. Holds its zero really well, even after multiple uses without having to be reset."

-Published by Michael Huffman

Student Tool Kits

Mechanical Tool Kit Order No. S950-002



Set Includes: Dial Caliper 505-740, Outside Micrometer 103-177, Steel Rule 182-102 & Custom Tool Case

Digimatic Tool Kit Order No. S950-001



Set Includes: Digimatic Caliper 500-196-30, Digimatic Lite Micrometer 293-831-30 & Custom Tool Case

With Interchangeable Anvil-spindle tip type - Series 326

- Features include:
- > IP65 water and dust protection
 - > With SPC output
 - > Non grip finish With Ratchet stop for constant force
 - > With standard bar except 0-2mm and 0-1"



Range	Resolution	Order No.	Promo	Calibration
0-1"/0-25.4mm	.00005/0.001mm	326-351-30	\$ 735.08	\$ 76.00
1-2"/25.4-50.8mm	.00005/0.001mm	326-352-30	\$ 778.32	

With Interchangeable Anvil-spindle tip type - Series 126

- Features include:
- > With Ratchet stop for constant force
 - > With a standard bar except 0-2mm and 0-1" model
 - > Supplied in fitted plastic case



Range	Order No.	Graduation	Promo	Calibration
0-1 "	126-137	.001"	\$ 494.96	\$ 76.00
1-2 "	126-138		\$ 593.40	
2-3 "	126-139		\$ 669.76	

Anvil-spindle tip set (or individual) -Series 126 or 326

- Features include:
- > 60 degree or 55 degree V-anvil and conical spindle (interchangeable) are optional.
 - > Made with high grade steel
 - > Hardened and precision ground
 - > Storage box included



Application	Set Order No.	Tip Information			
		Thread Per Inch	Pitch (mm)	Individual Order No.	Promo Price for Individual
Metric Screw, Unified screw (60° threads)	126-800 Promo Price for Set \$ 418.60	64-48 (M1)	0.4 - 0.5	126-801	\$ 73.60
		44-28 (M2)	0.6 - 0.9	126-802	\$ 73.60
		24-14 (M3)	1 - 1.75	126-803	\$ 73.60
		13-9 (M4)	2 - 3	126-804	\$ 73.60

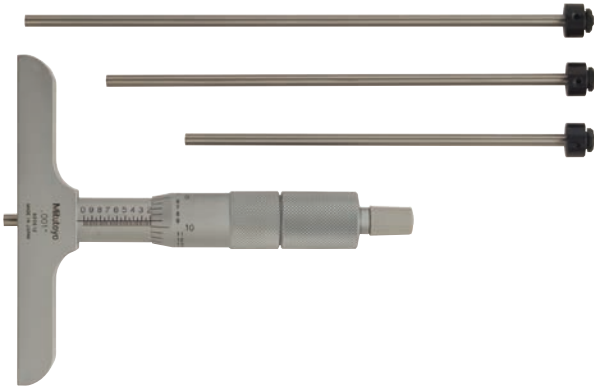


4 Depth Micrometers & Inside Micrometers

Depth Micrometer - Series 129

Features include:

- > Interchangeable rods, with lapped measuring end, provide a wide measuring range
- > The Rod length can be adjusted in 1" or 25mm increments
- > With ratchet stop for constant force
- > With measuring rod clamp

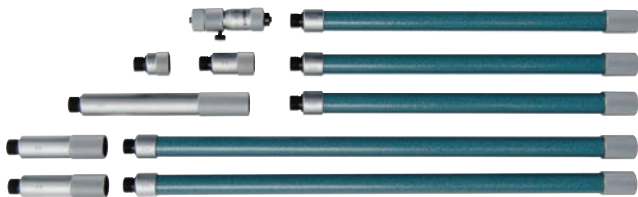


Range	Order No.	Base	Rod QTY.	Promo	Calibration
0-6"	129-131	4"x 6.3"	4	\$ 225.40	\$ 114.00
0-12"	129-132		6	\$ 269.80	\$ 152.00

Tubular Inside Micrometer - Series 137

Features include:

- > Wide range of ID measurements by combining extension rods (pipes) and anvils with the micrometer head.
- > Carbide-tipped measuring faces are available
- > Supplied in fitted plastic case except 1500mm /60" comes in wooden case.



Range	Order No.	Promo	Calibration
2" - 40"	137-214	\$ 633.65	\$ 165.00

Bevel Protractors

Features include:

- > Consists of three sheets of stainless steel, the middle one of which is made for angle measurements.

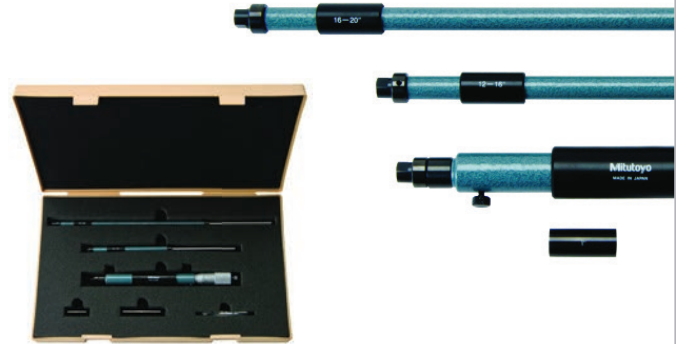


Graduation	Order No.	Promo
1°-/ 5min	187-201	\$ 218.04

Inside Micrometer with Interchangeable Rods - Series 141

Features include:

- > Wide range of ID measurements with interchangeable rods
- > Each interchangeable rod is marked with its measuring range.
- > The sizes of interchangeable rods can be adjusted with spacing collars
- > Both micrometer head and furnished rods are satin-chrome finished throughout
- > Supplied in fitted plastic case - over 1000mm/ 40" supplied in a wooden case



Range	Order No.	Promo	Calibration
8" - 20"	141-121	\$ 413.08	\$ 89.00

Center Punch Set - 5 Piece Set

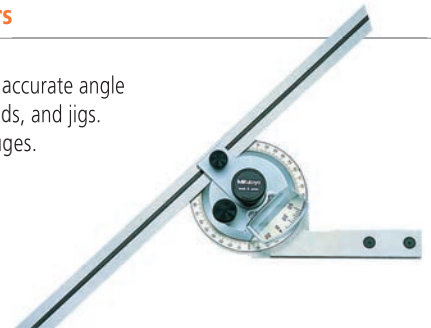


Order No.	Length	Material	Promo
985-138	3", 4"	Steel	\$ 22.80

Universal Bevel Protractors

Features include:

- > High-precision angle gauge for accurate angle measurement of machines, molds, and jigs.
- > Can be attached to height gauges.



Blade	Order No.	Promo
6"	187-904	\$ 347.76
12"	187-906	\$ 393.76

ABSOLUTE DIGIMATIC HEIGHT GAUGE - Series 570

Features include:

- > Built in ABSOLUTE linear encoder for improved readability - no over speed error will occur
- > Rigid column structure to ensure height measuring accuracy
- > Large, smooth slider-feed wheel
- > With SPC data output.

Range	Order No.	Resolution	Promo	Calibration
0-12"/0-300mm	570-312	.0005"/0.01mm	\$ 719.15	\$114.00
0-18"/0-450mm	570-313		\$ 975.20	\$140.00
0-24"/0-600mm	570-314		\$ 1290.10	\$216.00



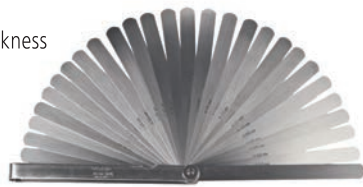
ABSOLUTE™
SPC

Other Gauges

Thickness Gauge - Series 184

Features include:

- > Each leaf marked with its thickness
- > Each leaf is detachable



Range	Order No.	Blade Length	Leaves	Promo
0.05mm-1mm	184-303s	150mm	28	\$ 86.48
0.05mm-1mm	184-304s	150mm	20	\$ 72.68
0.05mm-1mm	184-305s	100mm	13	\$ 57.96
0.03mm-0.05mm	184-307s	100mm	13	\$ 48.76
0.05mm-1mm	184-313s	100mm	28	\$ 72.68

Magnetic Stands - Series 7

Features include:

- > Mitutoyo's Magnetic Stands accept all Dial Indicators and Dial Test Indicators.
- > The off/on switch offers instant mounting without any adverse effects to the Indicator or workpiece surface

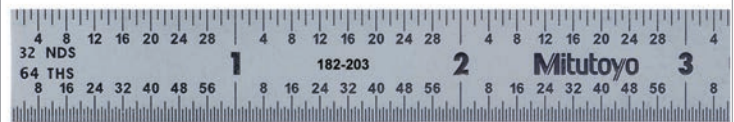


Order No.	Remarks	Description	Promo
7012-10	With Fine Adjustment	Magnetic Flexi-Stand	\$ 197.60
7014-10	Without Magnet ON/OFF	Mini Magnetic Stand	\$ 93.84
7014E-10		\$ 96.60	

Steel Rulers - Series 182

Features include:

- > Clear graduations on satin-chrome finish
- > Stainless tempered
- > Full-Flexible Rules (thickness 1/64)



Range	Order No.	Graduation	Width	Promo	Calibration
6" (4R)	182-201	1/8 1/16 1/32 1/64th	1/2"	\$ 16.15	\$ 51.00
6" (16R)	182-202	1/32 1/64 1/50 1/100th	1/2"	\$ 16.15	
6" (5R)	182-203	1/32 1/65 1/10 1/100th	1/2"	\$ 16.15	
6" (3R)	182-204	1/32 1/64 1/10 1/50th	1/2"	\$ 16.15	
6"x150mm	182-205	1/32 1/64 1mm 0.5mm	1/2"	\$ 16.15	
6"x150mm	182-206	1/50 1/100 1mm 0.5mm	1/2"	\$ 16.15	
300mm	182-231	1mm 0.5mm 1mm 0.5mm	12mm	\$ 30.36	

Edge Finders

Features include:

- > The Edge Finders are hardened and ground on all surfaces



Shank Diameter	Tip Diameter	Order No.	Promo
3/8" (.375")	.20"	050101	\$ 27.55
1/2" (.50")		050102	\$ 26.60



6 Calipers

ABSOLUTE Digimatic Calipers - Series 500

Features include:

- > Large and clear LCD readout
- > Thumb roller included only on calipers up to and including 12" or 300mm
- > Carbide-tipped jaw-type calipers are also available



- The ZERO/ABS Key is a unique feature that allows the display to be zero-set at any slider position along the scale for incremental comparison measurements.
- The switch will also allow the option to return to the absolute (ABS) coordinate and display of the true position from the origin point (usually jaw-closed point).

Range	Order No.	Graduation	Promo	Calibration
0-4" / 0-100mm	500-195-30	.0005" / 0.01mm	\$ 165.30	\$ 39.00
0-6" / 0-150mm	500-196-30		\$ 178.60	
0-8" / 0-200mm	500-197-30		\$ 257.45	\$ 51.00
0-12" / 0-300mm	500-193*		\$ 485.45	\$ 64.00

* all without SPC data output

ABSOLUTE Coolant-Proof Caliper

Features include:

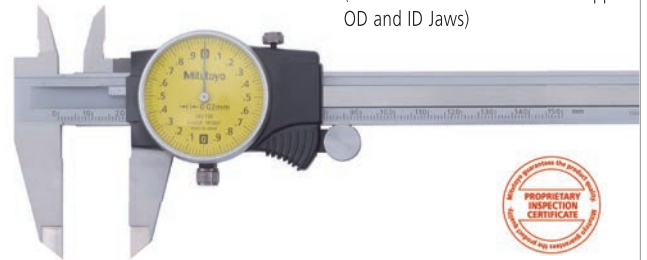
- > Can be used in workshop conditions exposed to coolant, water, dust and oil
- > Easy usability (no need to wipe or clean)
- > Character height increased from 7.4mm to 9.0mm for readability improvement.
- > Redesigned batter cover to eliminate need for a screw driver
- > Automatic ON/OFF button
- > Data output function available



Dial Calipers

Features include:

- > New designed dial movement for ultra-smooth sliding and high-shock protection.
- > New face for improved readability
- > Removal of TiN coating on sliding surface without sacrificing wear life.
- > Lock Screw for dial bezel and for holding the sliding jaw position
- > Can measure OD, ID, depth and steps (Models available with carbide-tipped OD and ID Jaws)



Range	Order No.	Graduation	Promo	Calibration
0-6"	505-736	.001"	\$ 204.24	\$ 39.00
0-8"	505-743		\$ 201.40	\$ 51.00

Range	Order No.	Graduation	Promo	Calibration
0-6" / 0-150mm	500-762-20	.0005" /	\$ 284.05	\$ 39.00
0-12" / 0-300mm	500-764-10	0.01mm	\$ 592.48	\$ 64.00

optional accessories: 05CZA624 SPC Cable 40"/1m \$108.00
05CZA625 SPC Cable 80"/2m \$115.00

COOLANT PROOF™ is the universal term for Mitutoyo Digimatic Small Tool Instruments that are free from measuring error and physical deterioration due to the routine exposure to water, cutting oil or coolant.

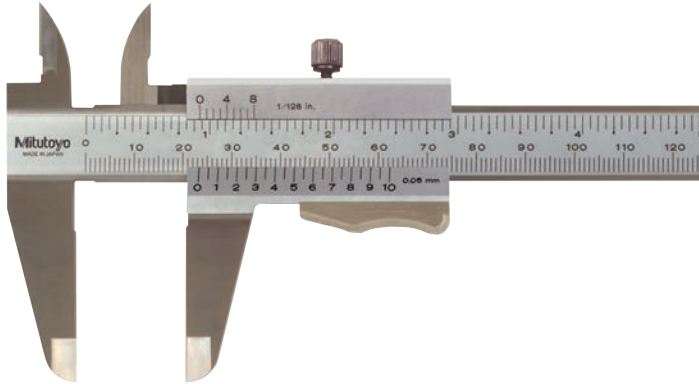
This high performance is achieved by using encoders that are inherently immune to contamination, where exposure is inevitable, combined with comprehensive sealing techniques and extremely oil resistant materials to guarantee a long working life under normal operating conditions.



Vernier Calipers - Series - 531

Features include:

- > The slider moves only when the spring loaded thumb clamp is depressed.
- > Can measure OD, ID, depth and steps.
- > Supplied with vinyl holster in fitted carton



Range	Order No.	Graduation	Promo	Calibration
0-200mm / 0-8"	531-108	0.05mm / 1/128"	\$ 148.12	\$ 51.00
0-150mm / 0-6"	531-122		\$ 126.35	\$ 39.00

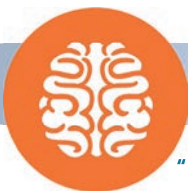
MyCAL - Lite - Series 700

Features include:

- > The MyCAL-Lite is an ideal measuring tool for the DIY market.
- > The LCD screen allows error-free readout of measurements.
- > With depth measuring bar.



Range	Order No.	Promo	Calibration
0-6" / 0-150mm	700-113-10	\$ 127.88	\$ 39.00



"I had previously purchased a cheaper gauge and even paid as much as \$ 50.00, however none of them were even near being as accurate. This one is dead on!"

- Published by Steve, Flipboard.com

UPCOMING EVENTS/SHOWS

SMALL TOOL REPAIR WORKSHOP

March

Sun	Mon	Tues	Wed	Thurs	Fri	Sat
				1	2	3
4	5	6	7	8	9	10
11	12	13	14	15	16	17
18	19	20	21	22	23	24
25	26	27	28	29	30	31

- SKILLS ONTARIO
- MMTS BOOTH #319

May

Sun	Mon	Tues	Wed	Thurs	Fri	Sat
		1	2	3	4	5
6	7	8	9	10	11	12
13	14	15	16	17	18	19
20	21	22	23	24	25	26
27	28	29	30	31		

- SKILLS NATIONALS
- EDUCATION FORUM

June

Sun	Mon	Tues	Wed	Thurs	Fri	Sat
					1	2
3	4	5	6	7	8	9
10	11	12	13	14	15	16
17	18	19	20	21	22	23
24	25	26	27	28	29	30



8 Indicators

Dial Indicators - Series 2

Features include:

- > Standard 0.01mm graduation dial gage - with outer frame (outside) diameter of 57mm
- > Easily attached without tools clamp and lifting lever for both left and right (optional)
- > Secured adhesion between outerframe
- > Stem spindle - stainless steel material for longevity
- > Grand gear - stainless steel material to resist wear
- > Hard coated crystal surface for scratch and chemical resistance



Range	Order No.	Graduation	Type/Stem Dia.	Promo	Calibration
10mm	2046s	0.01mm	ISO/JIS 8mm	\$ 106.40	\$ 39.00
	2046s-11		ANSI/AGD 3/8"	\$ 123.28	
	2046s-60		ISO/JIS 8mm	\$ 188.60	
	2046s-80		ISO/JIS 8mm	\$ 197.80	

Dial Test Indicators - Series 513 Universal Type

Features include:

- > Universal application for all directions, not only the direction of the measuring point, but also the direction of measurement itself can be adjusted 360 degrees without moving the indicator.



Range	Order No.	Graduation	Dial	Promo	Calibration
.03"	513-302-GT	.0005"	0-15-0	\$ 494.96	\$ 39.00



THE 5 BEST DIAL TEST INDICATORS

" Mitutoyo is our top choice, the Dial Test Indicator is an effective option for someone who wants the industry standard. Users love the accuracy and quality of this product when dealing with general purpose/ daily use. Users agree you get the top notch quality for a fair price and one satisfied customer says they haven't had a problem after five years."

-Published by Top5review.com

Pocket Type Indicator - Series 513

Features include:

- > Jeweled bearing to ensure high sensitivity and accuracy
- > Reversible measuring direction
- > Two holding bars are supplied (full-set only)
- > Fully adjustable bezel/dial face
- > Contact point adjustable within 220 degrees
- > Bezel is sealed with an O-ring to keep out water and oil



Range	Order No.	Graduation	Dial	Promo	Calibration
.01"	513-504	.0001"	0-50-0	\$ 167.44	\$ 39.00
.02"	513-512T	.0005"	0-10-0	\$ 200.56	
.04"	513-518T	.001"	0-20-0	\$ 167.20	

Dial Indicator - Series 3

Features include:

- > Large face and long stroke
- > Dial gages with a large-diameter (78mm/ 3.0") graduation face for easy reading



Range	Order No.	Graduation	Type/ Stem Dia.	Promo	Calibration
1"	3416s	.001"	ANSI/AGD 3/8"	\$ 171.12	\$ 39.00

Dial Test Indicator - Series 513

Features include:

- > Performs easy and accurate measurement of narrow or recessed areas plus inside and outside diameters that dial indicators cannot access
- > No-clutch structure for automatic reversal of measuring direction
- > High sensitivity and quick response because of jeweled bearings.



Range	Order No.	Graduation	Dial	Promo	Calibration
.03"	513-402-10T	.0005"	0-15-0	\$ 146.30	\$ 39.00
.008"	513-403-10T	.0001"	0-4-0	\$ 226.10	
.03"	513-412-10E	.0005"	0-15-0	\$ 211.85	
.03"	513-412-10T	.0005"	0-15-0	\$ 237.36	

Back-Plunger Dial Indicator - Series 1

Features include:

- > Built with measuring spindles on the back of the units.
- > This type of indicator offers the same precision and durability as all other Mitutoyo dial indicators, and operates effectively with optional holding bars.
- > Suitable for mounting onto leveling machine tool tables or inspection jigs
- > Suitable for small spaces where the graduation of standard dial gages are difficult to see.



Range	Order No.	Graduation	Dial	Promo	Calibration
2"	1167T	.001"	0-25-0	\$ 141.68	\$ 39.00

ABSOLUTE Digimatic Indicator ID-C - Series 543

Features include:

- > Similar in size to Series 2 Dial indicators
- > Large, easy-to-read LCD
- > The positive/negative count resulting from the spindles up/down movement can be toggled.
- > Employing the ABSOLUTE linear encoder, the ID-C always displays the spindle "Absolute Position"



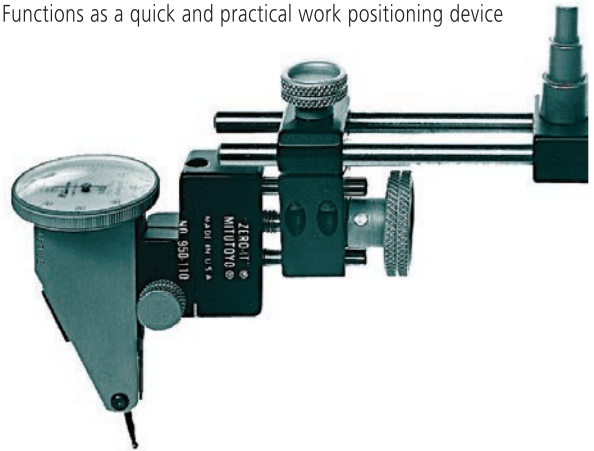
Range	Order No.	Resolution	Promo	Calibration
.0005"	543-472B	.00005/0.001mm	\$ 698.28	\$ 39.00
.0001"	543-492B		\$ 779.00	

optional accessories: 905338 SPC Cable 40"/1m \$46.30
905409 SPC Cable 80"/2m \$51.00

Zero-It

Features include:

- > Specially designed for Mitutoyo Test Indicators with Dovetails
- > Functions as a quick and practical work positioning device



Order No.	Coarse	Fine	Promo
950-110	10"	3/8"	\$ 229.08



10 Granite Surface Plates & Steel Stands

Granite Surface Plates - Series 517

Features include:

- > Natural granite - free from dimensional change
- > Superior to cast iron plates
- > Free from warping
- > Free from burrs or protrusions
- > High degree of flatness for longevity
- > Meets & exceeds GGG-P-463c
- > Each shipped with certification of accuracy



Size	Height	Order No.	Accuracy	Weight (lbs.)	Grade	Promo
24x36"	6"	517-708	85	600	AA Laboratory Grade	\$ 1222.30
36x48"	8"	517-714	150	1500		\$ 2494.75
9x12"	3"	517-801	100	40	A Inspection Grade	\$ 165.75
12x12"	3"	517-802	100	50		\$ 204.00
12x18"	4"	517-803	100	100		\$ 260.95
18x24"	4"	517-805	130	200		\$ 509.15
24x36"	5"	517-808	170	500		\$ 969.00
36x48"	6"	517-814	300	1200		\$ 2037.45
48x72"	10"	517-819	600	3800	\$ 5057.50	

Steel Stands

Features include:

- > Steel stands support black granite surface plates at working levels
- > Available either with or without casters



Size	Order No.	Specification	Price
12x18"	517-950	Stationary	\$ 874.00
	517-950-1	With Casters	\$ 942.00
18x24"	517-952	Stationary	\$ 962.00
	517-952-1	With Casters	\$ 1223.00
24x36"	517-956	Stationary	\$ 1173.00
	517-956-1	With Casters	\$ 1301.00
36x48"	517-964	Stationary	\$ 1246.00
	517-964-1	With Casters	\$ 1507.00
48x72"	517-969	Stationary	\$ 1455.00
	517-969-1	With Casters	\$ 1982.00

Linear Height LH-600 EG- Series 518

Features include:

- > Excellent accuracy of (1.1+0.6L/600)µm
- > Selectable resolution
- > Pneumatic full/semi floating system allows adjustment of air cushion height



SAVINGS OF 25%

Range	Order No.	Promo	Calibration
0-38" (24") / 0-972mm (600mm)	518-352A-21	\$ 8428.50	\$ 380.00

FREE BONUS PACKAGE

With Purchase of LH- 600 EG

Includes:

- > ABSOLUTE Digimatic Indicator ID-S **543-783B**
- > Dial Indicator Holder (LH & QM) **12AAA837**
- > SPC Connection Cable **905338**

VALUE OF - \$439.30

LH & QM-Height Gauge

QM-Height

Features include:

- > Newly developed high-accuracy & high-resolution ABSOLUTE linear encoder
- > Possible to measure inside/outside diameter via unique process
- > Large size LCD with back light
- > With SPC & USB output

ABSOLUTE™
SPC



SAVINGS OF 15%

Range	Order No.	Type	Promo	Calibration
0-14" / 0-350mm	518-231	Standard	\$ 4239.80	\$ 140.00
0-24" / 0-600mm	518-233		\$ 4771.05	\$ 202.00
0-14" / 0-350mm	518-235	Pneumatic Float	\$ 4771.05	\$ 140.00
0-24" / 0-600mm	518-237		\$ 5302.30	\$ 202.00

* AC Adaptor - 120V AD620JA IS REQUIRED - on promo now for \$57.80

BUILD YOUR OWN DIGITAL READOUT PACKAGE

SAVE 5%
With Minimum Purchase

Minimum Purchase:	Code	Description	Without Minimum Purchase	With Minimum Purchase
One AT715 Linear Scale & One KA-200 Counter (2 or 3 axis)	174-183A	KA-200 Counter (2-axis)	\$ 734.00	\$ 697.30
	174-185A	KA-200 Counter (3-axis)	\$ 1080.00	\$ 1026.00
	your choice	1pc. Linear Scale	See table for pricing	

Order No.	Effective Range	Without Minimum Purchase	With Minimum Purchase
539-801	4"/ 100mm	\$ 370.00	\$ 351.50
539-802	6"/ 150mm	\$ 370.00	\$ 351.50
539-803	8"/ 200mm	\$ 374.00	\$ 355.30
539-804	10"/ 250mm	\$ 374.00	\$ 355.30
539-805	12"/ 300mm	\$ 374.00	\$ 355.30
539-806	14"/ 350mm	\$ 378.00	\$ 359.10
539-807	16"/ 400mm	\$ 383.00	\$ 363.85
539-808	18"/ 450mm	\$ 390.00	\$ 370.50
539-809	20"/ 500mm	\$ 394.00	\$ 374.30
539-811	24"/ 600mm	\$ 401.00	\$ 380.95
539-813 28"/ 700mm \$ 409.00 \$ 388.55			
539-814 30"/ 750mm \$ 415.00 \$ 394.25			
539-815 32"/ 800mm \$ 418.00 \$ 397.10			
539-816 36"/ 900mm \$ 456.00 \$ 433.20			
539-817 40"/ 1000mm \$ 474.00 \$ 450.30			
539-818 44"/ 1100mm \$ 538.00 \$ 511.10			
539-819 48"/ 1200mm \$ 603.00 \$ 572.85			
539-820 52"/ 1300mm \$ 669.00 \$ 635.55			
539-821 56"/ 1400mm \$ 731.00 \$ 694.45			
539-822 60"/ 1500mm \$ 811.00 \$ 770.45			
539-823 64"/ 1600mm \$ 909.00 \$ 863.55			
539-824 68"/ 1700mm \$ 1004.00 \$ 953.80			
539-825 72"/ 1800mm \$ 1100.00 \$ 1045.00			
539-860 80"/ 2000mm \$ 1675.00 \$ 1591.25			
539-861 88"/ 2200mm \$ 1788.00 \$ 1698.60			
539-862 96"/ 2400mm \$ 2150.00 \$ 2042.50			
539-863 100"/ 2500mm \$ 2200.00 \$ 2090.00			
539-864 104"/ 2600mm \$ 2250.00 \$ 2137.50			
539-865 112"/ 2800mm \$ 2400.00 \$ 2280.00			
539-866 120"/ 3000mm \$ 2675.00 \$ 2541.25			

KA-200 Digital Counter

Features include:

- > Excellent addition to manual machine retrofit packages
 - > Many high end functions packed into this standard counter
 - > Large LED display is sharp and bright. Easy to see at a distance
 - > The positive touch front panel keys are solid and easy to push with fast response
- The sub display lets you know what function you are currently using



Features Included with purchase of AT715 ABSOLUTE Coolant Proof Linear Scale



Brackets

	Code	Description	Price
Milling System	64AAB196	Universal bracket kit (12")	\$ 267.00
	64AAB197	Universal bracket kit (14-16")	\$ 275.00
	64AAB199	Screw kit	\$ 58.00
Lathes	64AAB191	Bracket kit	\$ 324.00
Grinders	64AAB194	Scale Y Axis	\$ 451.00
All Systems	64AAB200	Machine arm kit (KA counter)	\$ 226.00



CONTOUR MEASURING SYSTEM PACKAGE

Contracer CV-2100M4

Included Hardware & Software:

- > T5810 Window Computer
- > Dell 24"
- > Canon Printer
- > USB Printer Cable
- > FORMTRACPAK Software
- > UPS Power Back-up

Features include:

- > X-axis drive up to 20mm/s by jog shuttle
- > Centralized front control panel
- > Auto execution and multi point measurement with software FORMTRACPAK
- > Automatic evaluation, best fit of contour
- > CAD comparison and many more features as standard.

PACKAGE PRICE \$21,499.00 USD



CRYSTA-APEX S544 PACKAGES

Entry Level Scanning Package

Included Hardware & Software:

- > CRYSTA- APEX S544 Stand
- > Multi Wire for CRT-AC544/574
- > Master Ball .787"/ 20MM
- > Air Dryer Refrigerant RFKSS-J1G0003
- > SP25M Promo Kit #2
- > MCOSMOS-1 V4
- > Computer Package
- > Work Station

STARTING AT

\$ 49,900.00 USD

Included Agreements:

- 2 Year Mitutoyo Factory Warranty (machine only)
- Lifetime Software Phone Support
- 2 year Accredited Calibrations
**Includes travel expenses*
- 3 year PC Warranty - Dell



Entry Level Measurement Package

Included Hardware & Software:

- > CRYSTA- APEX S544 Stand
- > Master Ball .787"/ 20MM
- > Air Dryer Refrigerant RFKSS-J1G0003
- > TP20 Probe Kit
- > MCSOMOS-1 V4
- > Computer Package
- > Work Station

STARTING AT

\$ 45,500.00 USD



Mitutoyo

We reserve the right to change prices and specifications without notice.
Not valid with any other offer or promotion. This promotion is for Canadian market only.
Request formal quotation for complete details.